

Flush-mounting cabinets Nedbox

12 to 48 modules



IP 40 - IK 07
Class II
Allows to achieve assemblies conform to IEC 61439-3
Self extinguishing: resistance to incandescent wire 850° C

Flush-mounting distribution cabinets

Pack	Cat.Nos	Flush-mounting distribution cabinets				
		White RAL 9003 Supplied with: - reversible door - screw terminal blocks for neutral and earth Spacing between rails 125 mm For installation in dry partitions use the flush-mounting kit Cat.No 0 014 90				
		With metal door white RAL 9003				
				Flush-mounting box		
		Number of rows	Number of modules	Height (mm)	Width (mm)	Depth (mm)
1	0 014 41	1	12 + 2	305	330	87
1	0 014 42	2	24 + 4	430	330	87
1	0 014 43	3	36 + 6	555	330	87
1	0 014 44	4	48 + 8	680	330	87
		With transparent door				
		Number of rows	Number of modules	Height (mm)	Width (mm)	Depth (mm)
1	0 014 51	1	12 + 2	305	330	87
1	0 014 52	2	24 + 4	430	330	87
1	0 014 53	3	36 + 6	555	330	87
1	0 014 54	4	48 + 8	680	330	87

Accessories

"Reduced depth" mounting frame for dry partitions

For reducing the mounting depth to 70 mm instead of 87 mm

1	0 014 81	For 1-row cabinets Cat.No 0 014 41/51
1	0 014 82	For 2-row cabinets Cat.No 0 014 42/52
1	0 014 83	For 3-row cabinets Cat.No 0 014 43/53
1	0 014 84	For 4-row cabinets Cat.No 0 014 44/54

Flush-mounting kit for dry partitions

For installation of Nedbox flush-mounting cabinets in dry partitions

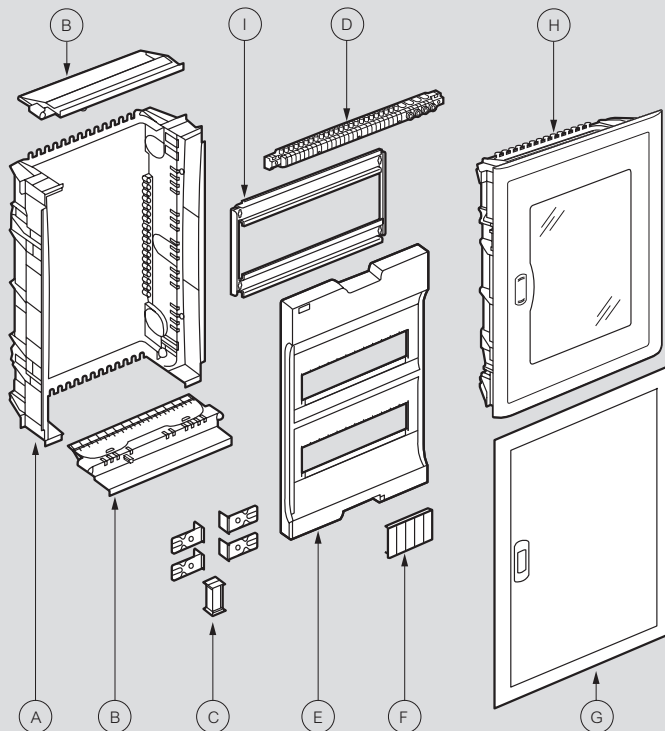
1	0 014 90	Key lock for Cat.Nos 6 012 42/43/44 and 6 014 41/42/43/44/51/52/53/54
---	----------	---

Key lock

Flush-mounting cabinets Nedbox

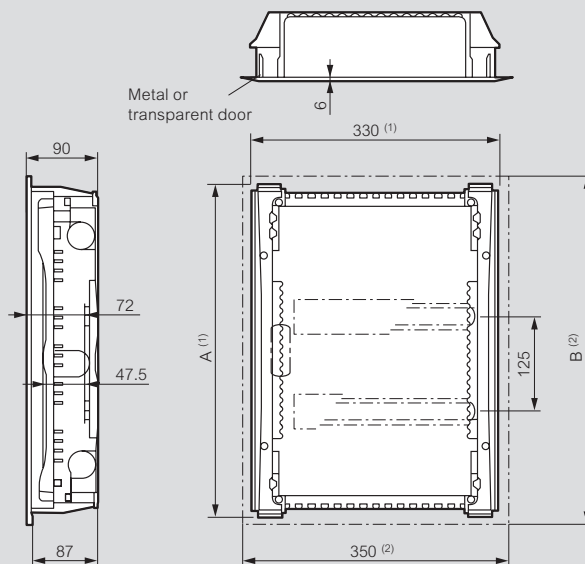
technical characteristics

Distribution cabinets 1, 2, 3 or 4 rows of 12 modules



A : flush-mounting box
B : cable entry plate
C : wall anchors (fasteners) for masonry
D : screw terminal blocks
E : removable faceplate
F : blanking plates
G : metal door
H : transparent door
I : removable chassis

Dimensions



	1 row	2 rows	3 rows	4 rows
A : flush-mounting box height (mm)	305	430	555	680
B : door height (mm)	335	460	585	710

Number of connections per terminal block

Number of rows	Earth terminal blocks Screw connection		Neutral terminal blocks Screw connection	
	1.5 - 16 mm ²	1.5 - 10 mm ²	1.5 - 16 mm ²	1.5 - 10 mm ²
1	6	6	6	6
2	8	8	8	8
3	15	15	12	12
4	15	15	18	18

1: Flush-mounting box dimensions

2: Door dimensions