

ColdLogik^{By} USystems

A brand of **Legend**

CL21 Smart Passive Rear Door Cooler

ColdLogik Rear Door Coolers are established as highly efficient cooling systems for use on data center/server racks. Designed to operate on a closed loop water circuit, ensuring optimum thermal and energy performance by removing heat generated by the active equipment directly at source.

The ColdLogik CL21 Smart Passive is designed to provide high performance cooling with Zero operational costs. The performance is entirely dependent on the active equipment inside the cabinet, and the available static pressure. At 14° C / 57.2°F Water inlet, the CL21 Smart Passive is able to supply up to 29kW of cooling. Ideal for a data centre targeting a highly sustainable operating structure.



Performance Examples

Performance examples — these examples show the RDC duties attainable when the active equipment inside the rack produces varying volumes of airflow. Other performance duties are attainable when calculating bespoke project specific requirements.

CL21 Smart Passive Cooling Capacity							
Performance Data for:		42U / 47U / 52U					
DB Air On	°C (°F)	40 (104)					
Water In	°C (°F)	14 (57.2)					
Water Out	°C (°F)	20 (68)					
Max Duty	kW	7	13	17	22	25	29
Airflow	m ³ /h (cfm)	1000 (589)	2000 (1177)	3000 (1766)	4000 (2354)	5000 (2943)	6000 (3531)
Air Pressure Drop Across Coil	Pa	3.2	9.6	18.4	29.2	41.7	55.7
Fluid Flow	m ³ /h (USGal/m)	1 (4.5)	1.9 (8.2)	2.6 (11.3)	3.2 (13.9)	3.7 (16.2)	4.2 (18.3)
Fluid Pressure Drop	kPa	2.3	6.9	12.4	18.1	24.1	30

CL21 Smart Passive Cooling Capacity							
Performance Data for:		42U / 47U / 52U					
DB Air On	°C (°F)	35 (95)					
Water In	°C (°F)	14 (57.2)					
Water Out	°C (°F)	20 (68)					
Max Duty	kW	5	10	13	17	19	22
Airflow	m ³ /h (cfm)	1000 (589)	2000 (1177)	3000 (1766)	4000 (2354)	5000 (2943)	6000 (3531)
Air Pressure Drop Across Coil	Pa	3.2	9.7	18.5	29.3	41.9	56
Fluid Flow	m ³ /h (USGal/m)	0.8 (3.5)	1.4 (6.3)	2 (8.7)	2.4 (10.7)	2.8 (12.4)	3.2 (14)
Fluid Pressure Drop	kPa	1.2	4.3	7.7	11.3	14.8	18.4

Cooling capacity data is shown for illustration purposes. USystems work alongside their customers who largely have unique challenges and ambitions. The nature of our technology, capabilities and approach is emulated in the delivery of efficient designs and solutions across the globe.

Legend

DB - Dry Bulb

ΔT - Delta T / difference supply and return temperatures

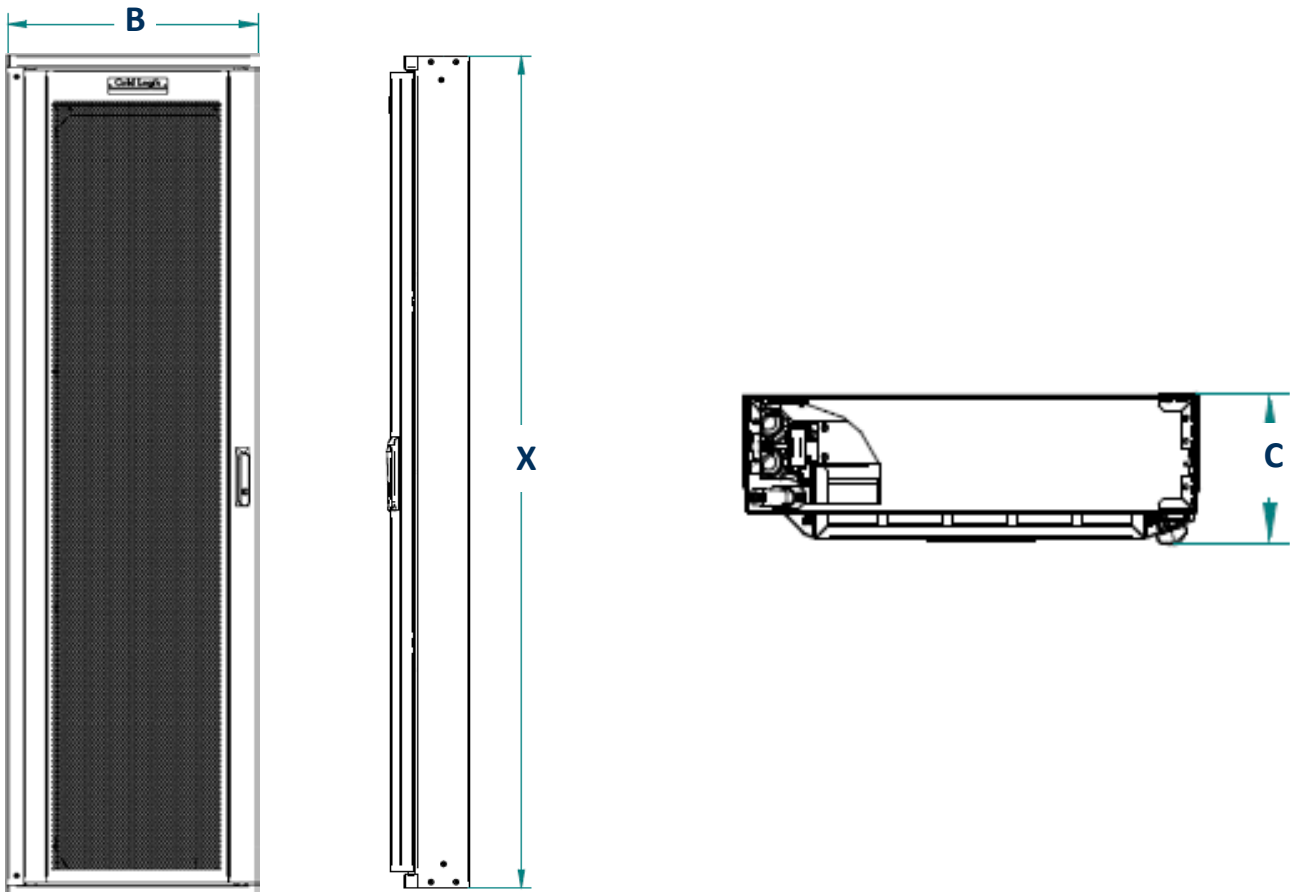
Air On - Air onto coil / air off active equipment

Air Off - Air off coil / air out from ColdLogik cooler

Technical Data

CL21 Smart Passive (Including interface frame)										
Technical Information to Suit:		42U			47U			52U		
		600w	750w	800w*	600w	750w	800w*	600w	750w	800w*
Height (X)		2000 (78.4)			2222 (87.5)			2444 (96.2)		
Width (B)	mm (inch)	597 (23.5)	747 (29.4)	797 (31.4)	597 (23.5)	747 (29.4)	797 (31.4)	597 (23.5)	747 (29.4)	797 (31.4)
Depth (C)	mm (inch)	198 (7.8)								
Dry Weight (RDC only)	kg (lb)	55	68.8	68.8	61.5	76.9	76.9	68.1	85.1	85.1
Dry Weight (including frame)	kg (lb)	83	98.8	99.8	92.5	108.9	109.9	101.1	119.1	120.1
Wet Weight (including frame)	kg (lb)	87.8 (193.6)	103.6 (228.3)	104.6 (230.5)	97.8 (215.8)	114.2 (251.9)	115.2 (254.1)	106.4 (234.6)	124.4 (274.3)	125.4 (276.5)
Paint	Finalised on Order	RAL 7035 (Light Grey)								
		RAL 9005 (Black)								
Hinge Side		Left-Hand Side - Standard								
		Right-Hand Side - Available on Request								
Connections	mm (inch)	25 (1)								
Water Volume Capacity	L (U.S.gal)	4.8 (1.3)								

*CL21 Door is 750w, CL21 Frame is 800w



Further Documentation

For additional information, please refer to the below. Available through your USystems representative, or our central enquires line at sales@usystems.com

Complete Product Range

Available at www.usystems.com

Operations and Maintenance Manual

Please contact sales@usystems.com

Troubleshooting Guide

Please contact sales@usystems.com

Product Brochure

Available at www.usystems.com



ColdLogik

by **USystems**
A brand of **legrand**

We engineer for a sustainable tomorrow.

Legrand (S) Pte Ltd

17 Neythal Road,
Singapore 628582
Tel: + 65 6416 1550
Fax: + 65 6416 1580



DATA CENTER
SOLUTIONS

CABLOFIL®

USystems

Starline®

Raritan®

Server
Technology®